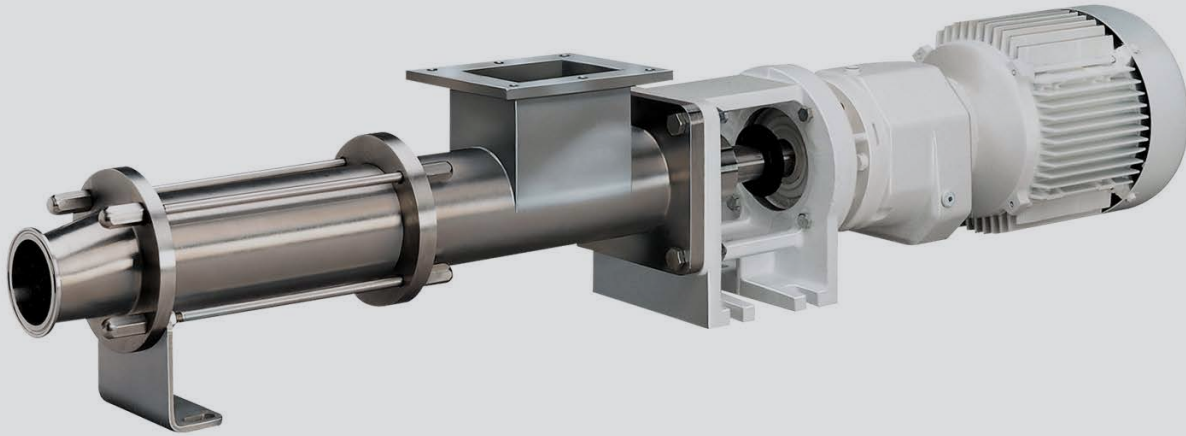


Sanitary Pumps



We have been satisfying sanitary pump application requirements for nearly 75 years. Our high quality Moyno™ branded Sanitary pumps are backed by extensive application experience that ensures the proper pump for your job.

Our sanitary pumps offer superior performance features with uncompromising quality, reliability and application versatility. They are ideal for any application where bacteria and contamination must be avoided and/or frequent cleanup is required.

By incorporating advanced technology, superior design and proprietary manufacturing processes, our Moyno sanitary pumps offer the best value, and the most effective pumping solutions to satisfy all of your sanitary pumping needs.

Features and Benefits

Our sanitary pumps provide exclusive performance enhancing and cost-saving features with outstanding benefits that help you increase operating efficiency, save time and money.

- Low total cost of ownership
- Quick disassembly design for easy cleaning
- Non-pulsating, metered flow -ideal for batching processes
- No valves to clog, stick or vapor lock
- Handle fluid temperatures to 400° F
- Transfer solids up to 1" in diameter
- Easy, on-site maintenance
- Cost-effectively handle thin liquids like soups and juices
- Incur minimal product degradation in shear-sensitive applications like salad dressings and salsas
- Efficiently move viscous slurries (even over 1,000,000 cps) like peanut butter, candies and jam
- Move suspended solids with minimal damage to products
- Like diced fruits, vegetables and beef stew
- Handle corrosive applications like citric acid and vinegar
- Provide long service life in abrasive applications like soybean slurries
- Consistently handle entrained air and gases in applications like yeast and nougat



Sanitary Pumps

AugMentor™

The AugMentor electrically driven pump stuffer handles high viscosity pumped materials. Its compact design fits a variety of pump sizes and features 300 series stainless steel construction and a #4 polished finish for maximum corrosion resistance and cleaner sanitary surfaces.

Chopper Hopper™

The Chopper Hopper is a cost-effective solution for maximizing process efficiency or handling waste by-products. It provides fast, simple and effective performance with minimal maintenance required. Integral to the heavy duty design is our proprietary gear joint, which provides the longest life of any progressing cavity pump.

Sanitary Pumps

Our Sanitary Pumps provide reliable performance, long service life and exceptional versatility. Whether your application requires exotic materials or a unique design, we offer over 150 models from which to choose, or we will readily customize a solution to solve any process challenge.

HS System

We package together our HS System and sanitary pump, coupled with a twin screw feeder, to handle your high viscosity applications. Our packaged system is set up to bolt directly into your production process, ready to support your toughest pumping applications.

Typical Applications

Food Processing

- Bread dough and bakery products
- Crackers, cookies and fillings
- Sugar and confectionery products
- Candy, chocolate and gum
- Meat products
- Meat and poultry slaughtering and processing
- Fruits and vegetables
- Sausages and prepared meats
- Sauces, jellies and jam
- Snack food coatings
- Fats and oils
- Shortening and margarine
- Beverages
- Stem- and seed-laden fruit juice slurries
- Flavoring extracts and syrups
- Spent grain and yeast transfer
- Beer and wine

Dairy

- Dairy products
 - Ice cream, yogurt and frozen desserts
- Pharmaceutical/Cosmetics
- Shampoo
 - Skin cream
 - Pill slurries
- Chemical
- Cleaning solutions
 - Fertilizers
 - Insecticides
 - Chemical feed and metering

